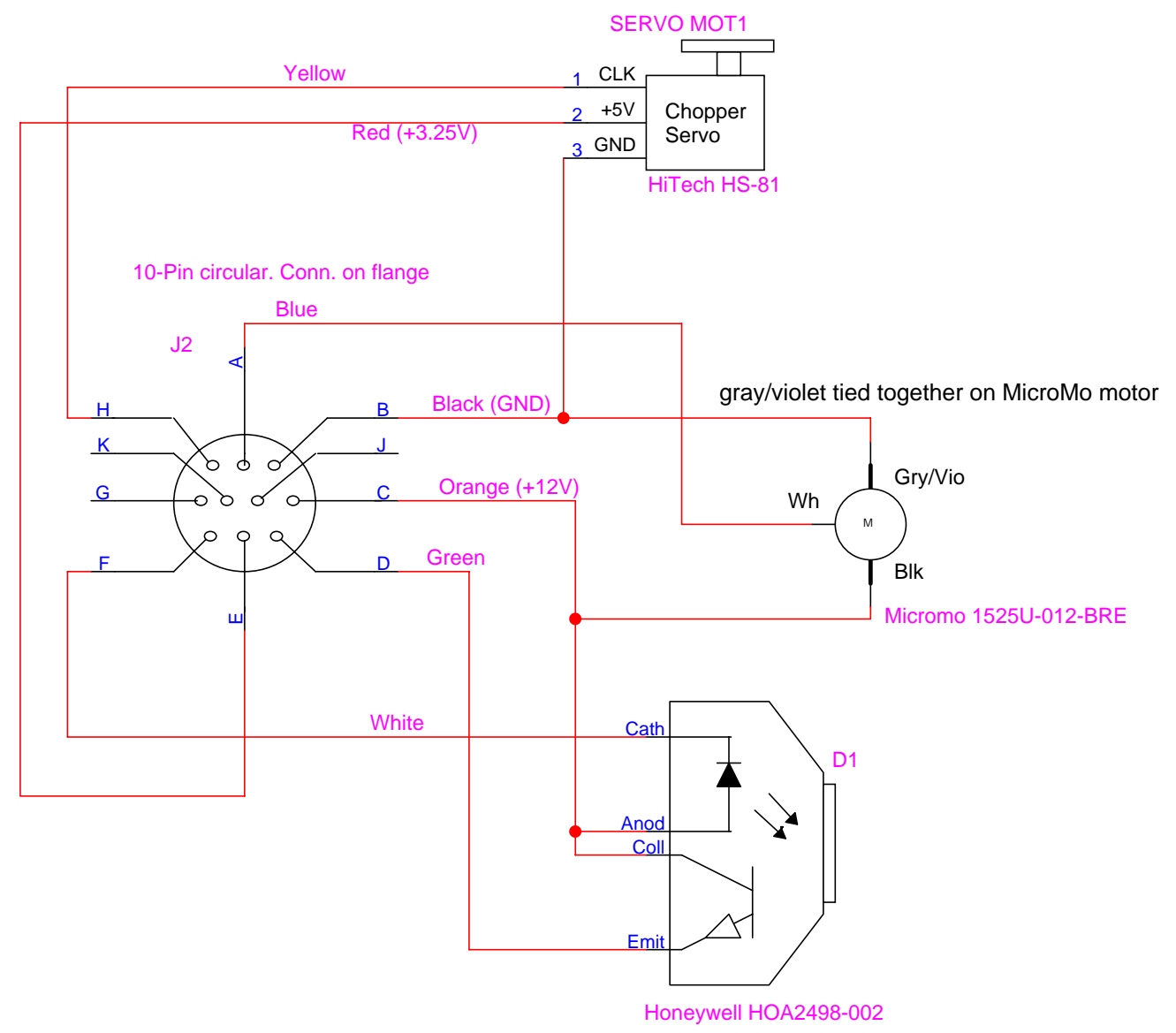


| 10-Pin Connec. | J2 Connec. | Wire Color |
|----------------|------------|--------------|
| A | 1 | Blue |
| B | 2 | Black |
| C | 3 | Orange |
| D | 4 | Green |
| E | 5 | Red |
| F | 6 | White |
| G | 7 | Brown (open) |
| H | 8 | Yellow |



Drawing 4.01: Chopper Flange Wiring